



ON-PREMISE LAUNDRY SOLUTIONS

Single Tumble Dryer

PTS30

30 lb (14 kg)



FEATURES

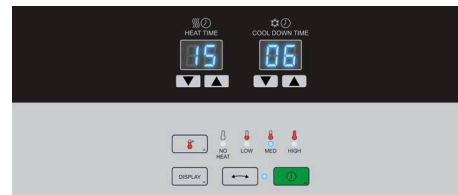
- Controls:
 - OPL Micro Control
 - Dual Digital Control
- Gas or Electric heating
- Large door opening for easy loading and unloading
- Galvanized drum
- Reversing drum
- Large lint filter

OPTIONS

- Sensodry+ moisture sensing
 - Alliance OPT (Over-dry Protection Technology)
 - Lower energy and utility costs
 - Lower linen replacement costs



OPL Micro Control

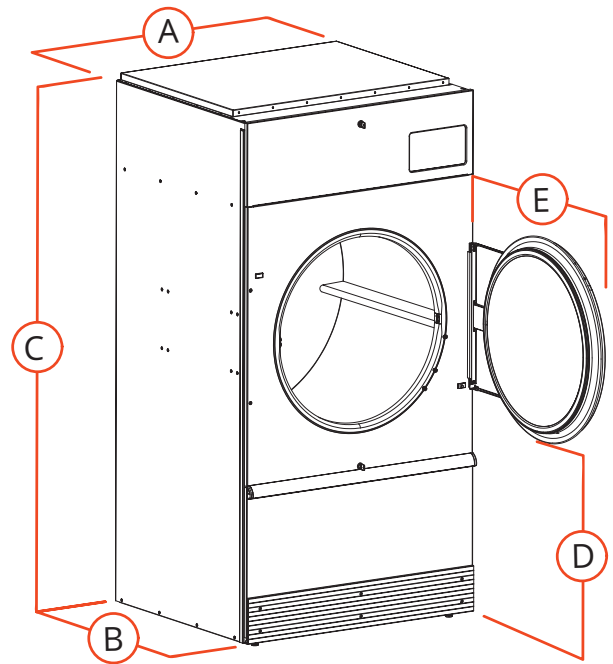


Dual Digital Control

Single Tumble Dryer

Specifications

		PTS30	
Control Option	OPL Micro, Dual Digital		
Capacity - lb (kg)	30 (14)		
Overall Width - in (mm)	31.5 (800)		
Overall Depth - in (mm)	39.6 (1006)		
Overall Height - in (mm)	63.2 (1605)		
Cylinder Diameter - in (mm)	30.0 (762)		
Cylinder Depth - in (mm)	26.0 (660)		
Cylinder Volume - cu. ft (liters)	10.6 (301)		
Reversing Cylinder	Standard		
Door Opening Size - in (mm)	22.7 (577)		
Heat Input Power	Gas Models - Per Pocket	73,000 Btu/hr	
	Electric Models	21kW	
Gas Connections* - in (npt)	0.5		
Air Outlet - in (mm)	6 (150)		
Motor - HP	Fan	0.5	
	Cylinder	0.5	
Airflow - cfm	500 (240)		
Electrical Specs - amps	Gas		
	B	100-120V/50/60/1	11
	X	200-240V/50/60/1/3	6
	N	440-480V/50/60/3	3
	Electric		
G	230-240V/50/60/3	52	
L	460-480V/50/60/3	27	
Shipping Dimensions Approx.- in (mm)	Width	32.5 (826)	
	Depth	47.0 (1194)	
	Height	68.2 (1732)	
Net Weight - lb (kg)	Gas	339 (154)	
	Electric	343 (156)	
Shipping Weight - lb (kg)	Gas	369 (167)	
	Electric	373 (169)	
Agency Approvals	CSA		



A.	Overall Width - in (mm)	31.5 (800)
B.	Overall Depth - in (mm)	39.6 (1006)
C.	Overall Height - in (mm)	63.2 (1605)
D.	Door Bottom to Floor - in (mm)	27.5 (700)
E.	Door Swing - in (mm)	26.3 (670)

* LP gas available for 75 lb capacity only . Field conversion kits available for other capacities.

Tumble dryer models are made to suit a variety of electrical service characteristics.

For further details on installation, refer to Installation, Operation and Maintenance instructions supplied with the tumble dryer. Amperage ratings available in Installation Manual.

For the most accurate information, the installation guide should be used for all design and construction purposes. Due to continuous product improvements, design and specifications subject to change without notice. The quality management systems at Alliance Laundry Systems are registered to ISO 9001.

OPLS by WASH equipment is manufactured by Alliance Laundry Systems LLC